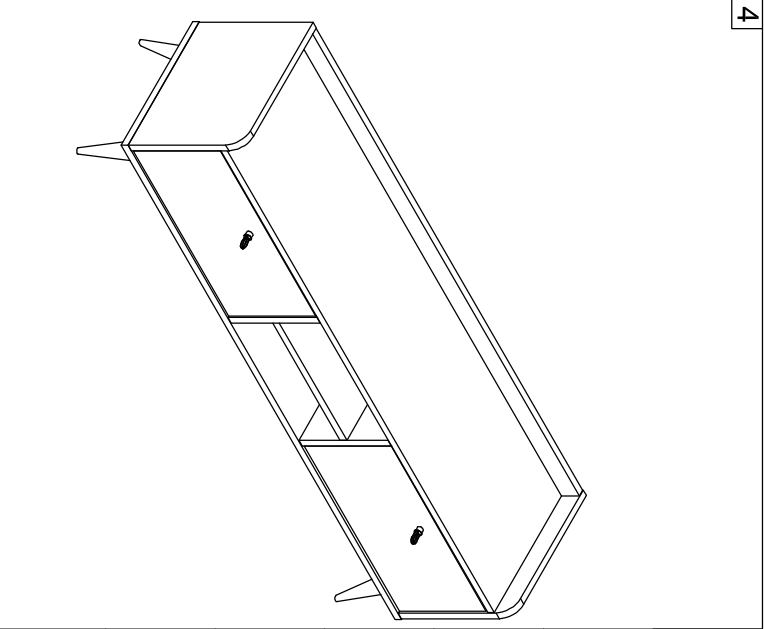
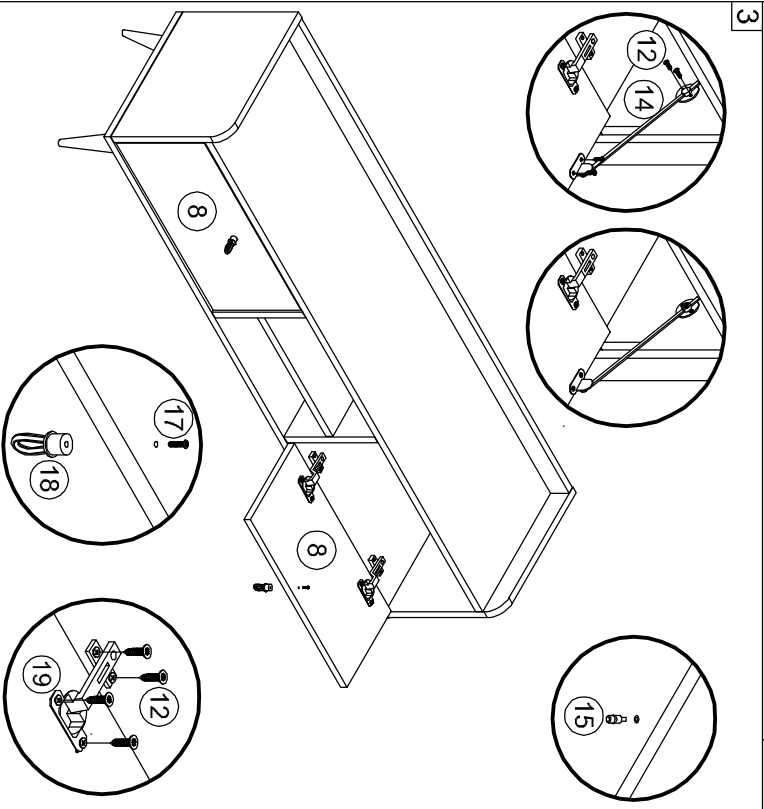
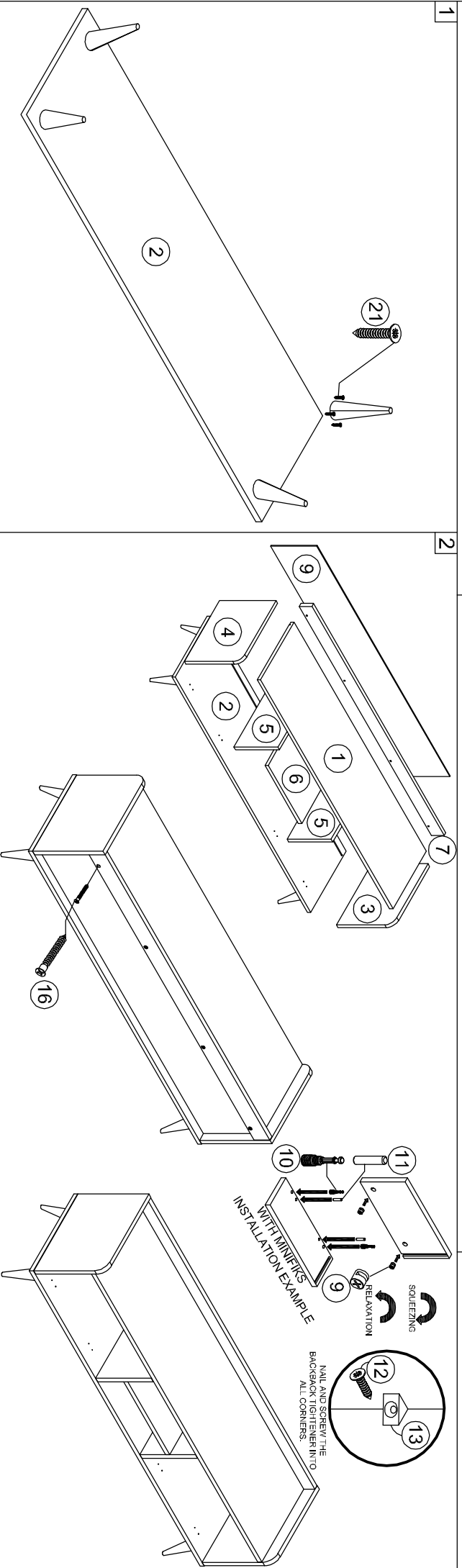


# ROYAL WALL UNIT INSTALLATION DIAGRAM



POZ. NO	TRACK NAME	MEASUREMENT	QTY
1	TOP TABLE	1462*369	1
2	BOTTOM TABLE	1500*390	1
3	RIGHT SIDE	312*389	1
4	LEFT SIDE	312*389	1
5	PLANTING	244*350	2
6	RAF	370*349	1
7	BACK RECORDING	1462*70	1
8	LID	522*238	2
9	BACKREST	1472*254	1

POZ. NO	TRACK NAME	QTY	UNIT
9	MINIFIX HEAD	16	PIECE
10	TITUS BODY	16	PIECE
11	DOWEL	20	PIECE
12	3.5 X 18 SCREW	48	PIECE
13	BACKSCREW TIGHTENER	4	PIECE
14	BAR SCISSORS	2	PIECE
15	COVER STOPPER	2	PIECE
16	CABIN SCREW	2	PIECE
17	HANDLE SCREW	5	PIECE
18	BUTTON HANDLE	20	PIECE
19	HINGE	1	PIECE
20	TAPERED FOOT	4	PIECE
21	4*25 SCREW	20	PIECE

### A LIST OF MATERIALS

### MAIN PARTS