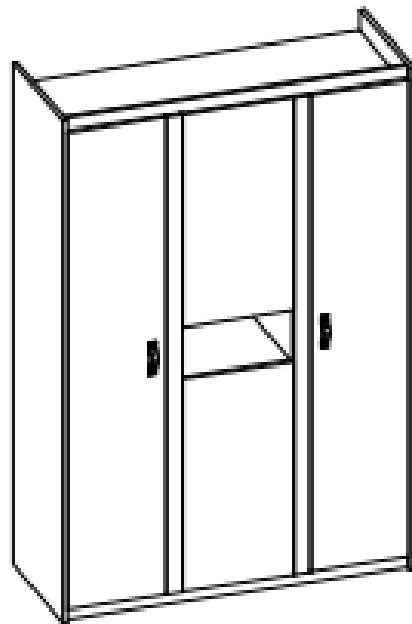
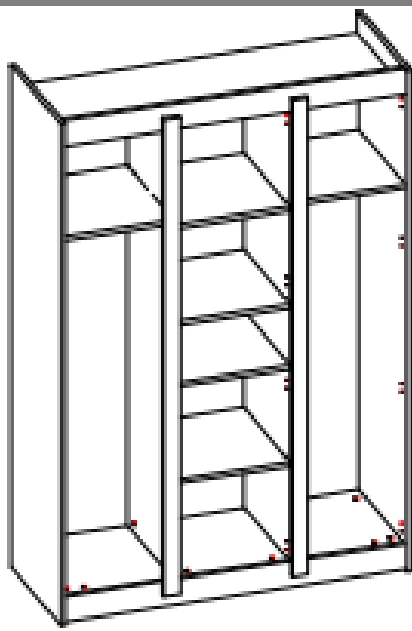
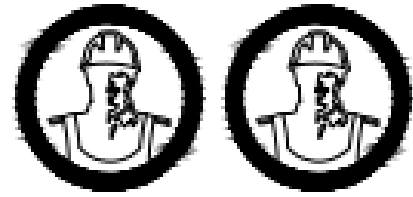


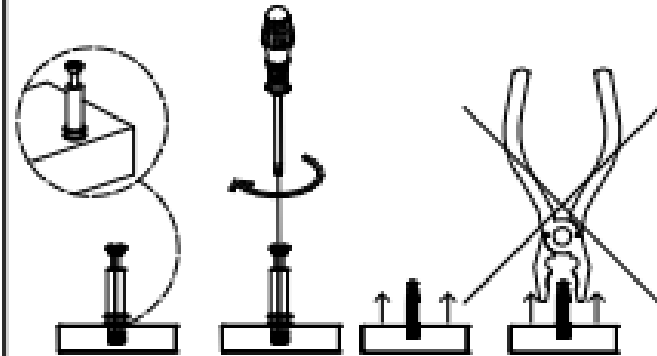
# Σετ Έπιπλο Παιδικού Δωματίου ACTIVE Δρυς – Ανθρακί SACTIVE.05- ΝΤΟΥΛΑΠΑ



INSTALLATION MUST BE DONE WITH 2 PERSONS.



TOOLS REQUIRED



X-01



36 x

X-02



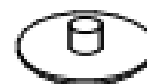
36 x

X-03



36 x

X-04



36 x

X-05



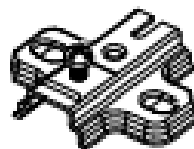
24 x

X-06



12 x

X-07



12 x

X-08



4 x

X-09



2 x

X-10



4 x  
(M4\*22)

X-11



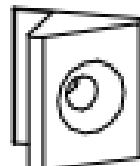
48 x  
(3,5x18)

X-12



30 x  
(3,5\*25)

X-13



10 x

01



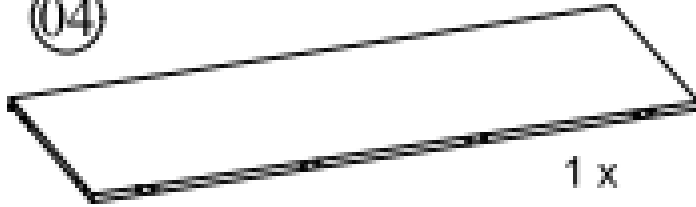
1 x

02



1 x

04



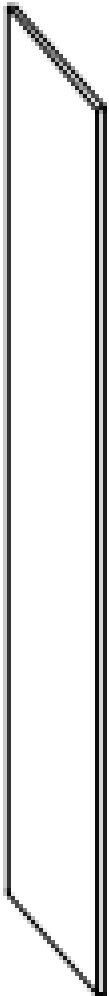
1 x

03



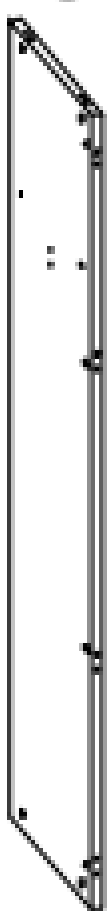
2 x

09



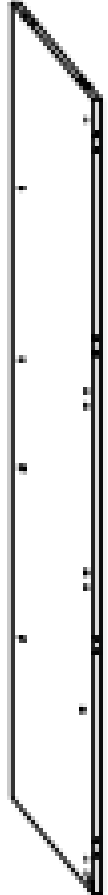
1 x

08



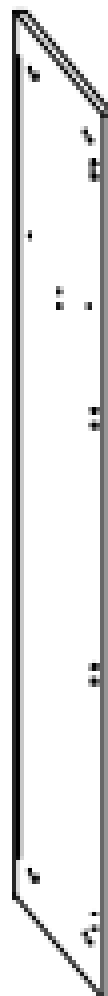
1 x

06



1 x

05



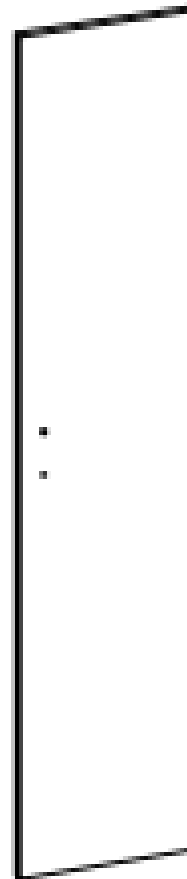
1 x

10



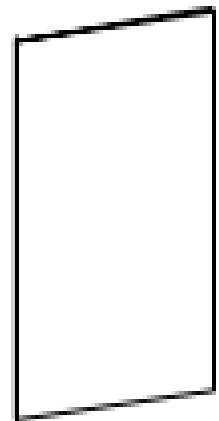
2 x

14



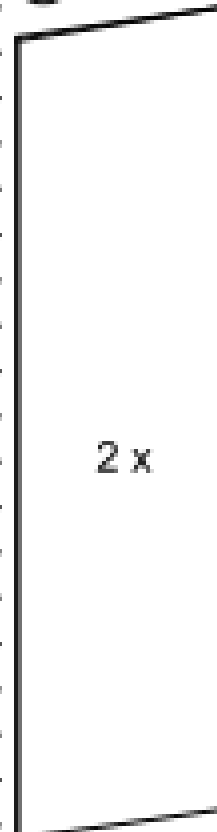
2 x

15



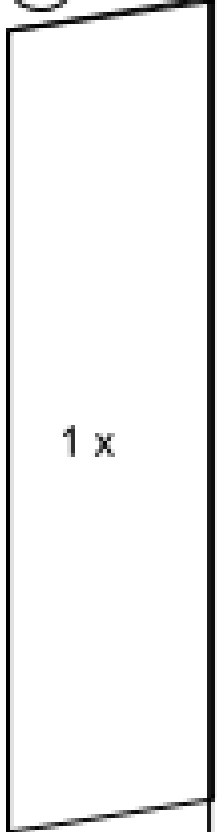
2 x

12



2 x

13



1 x

07



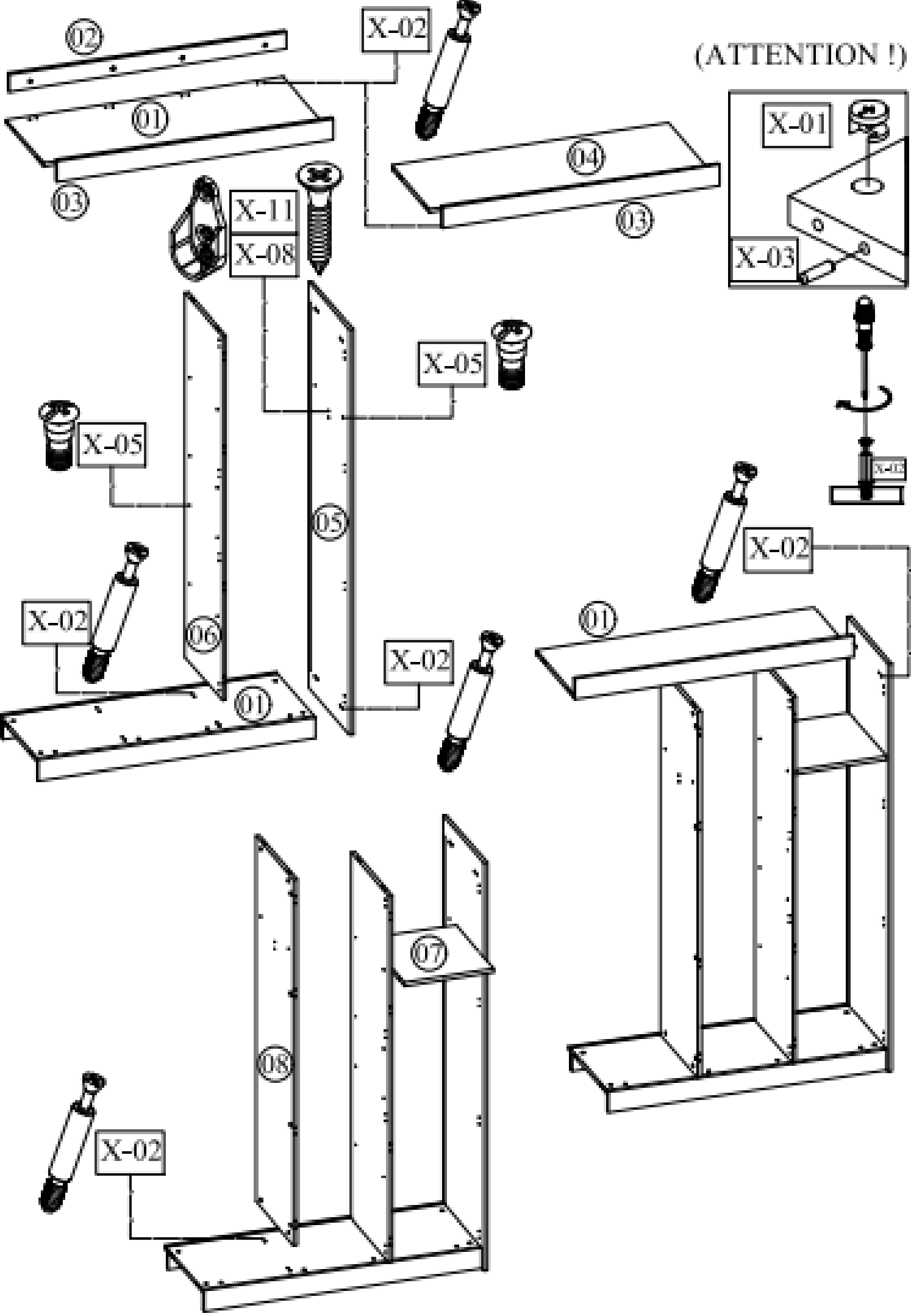
2 x

11

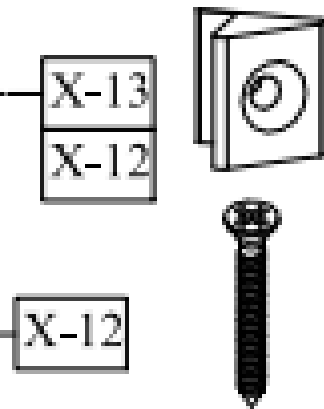
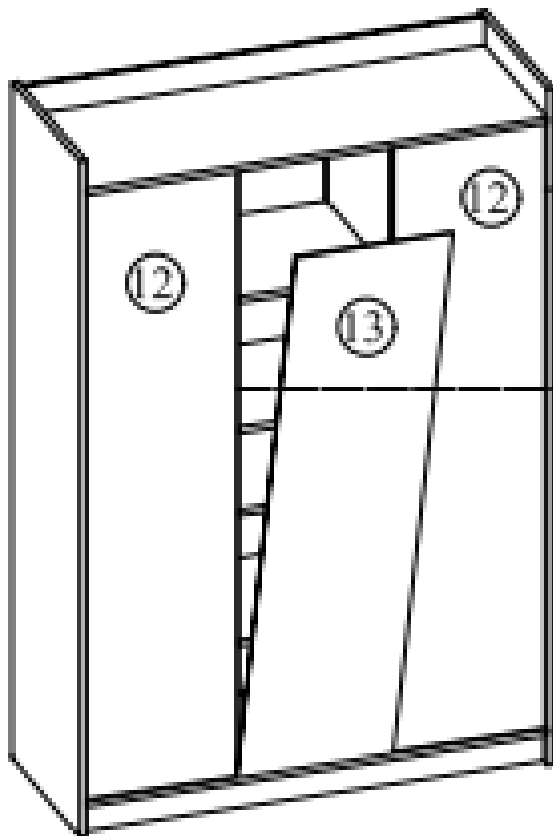
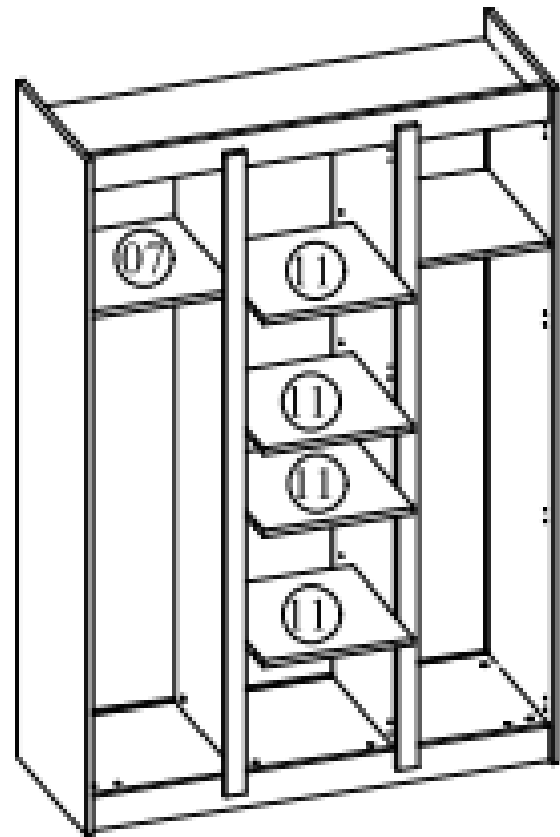
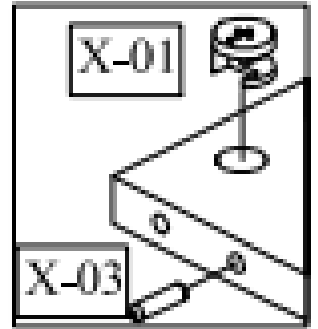
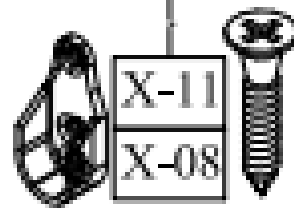
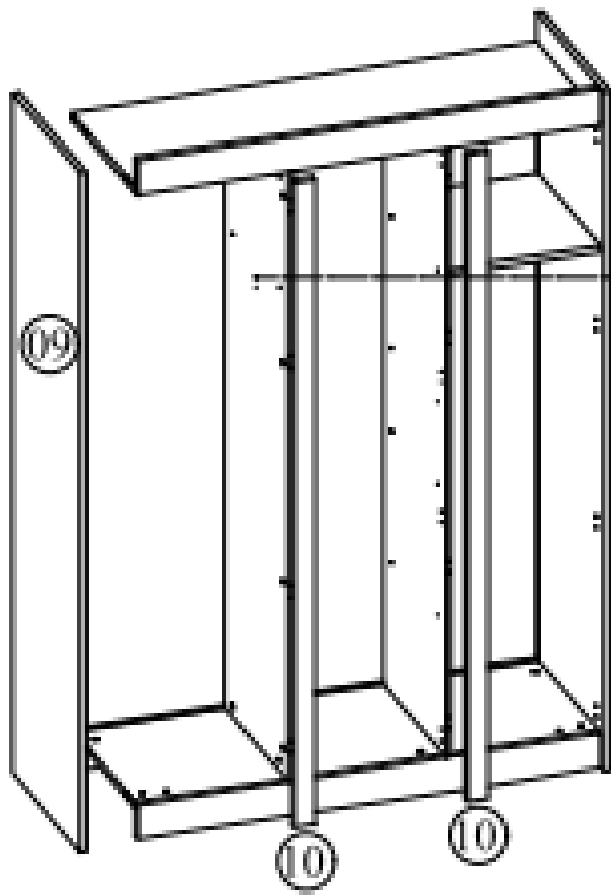


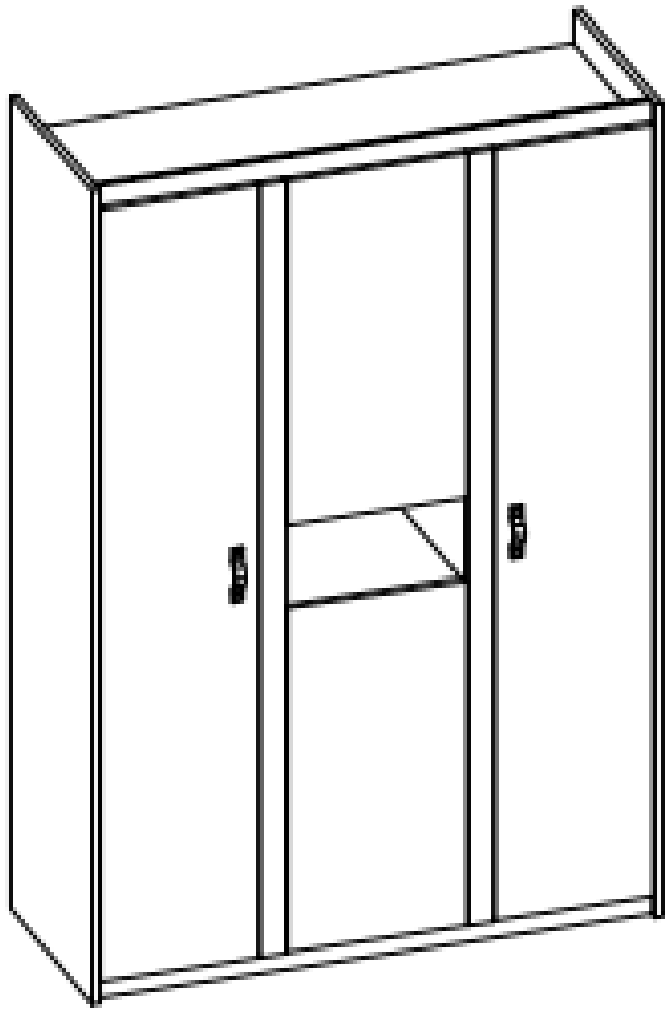
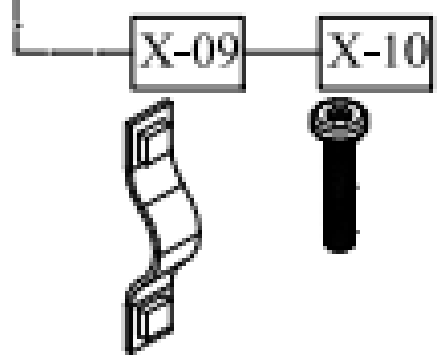
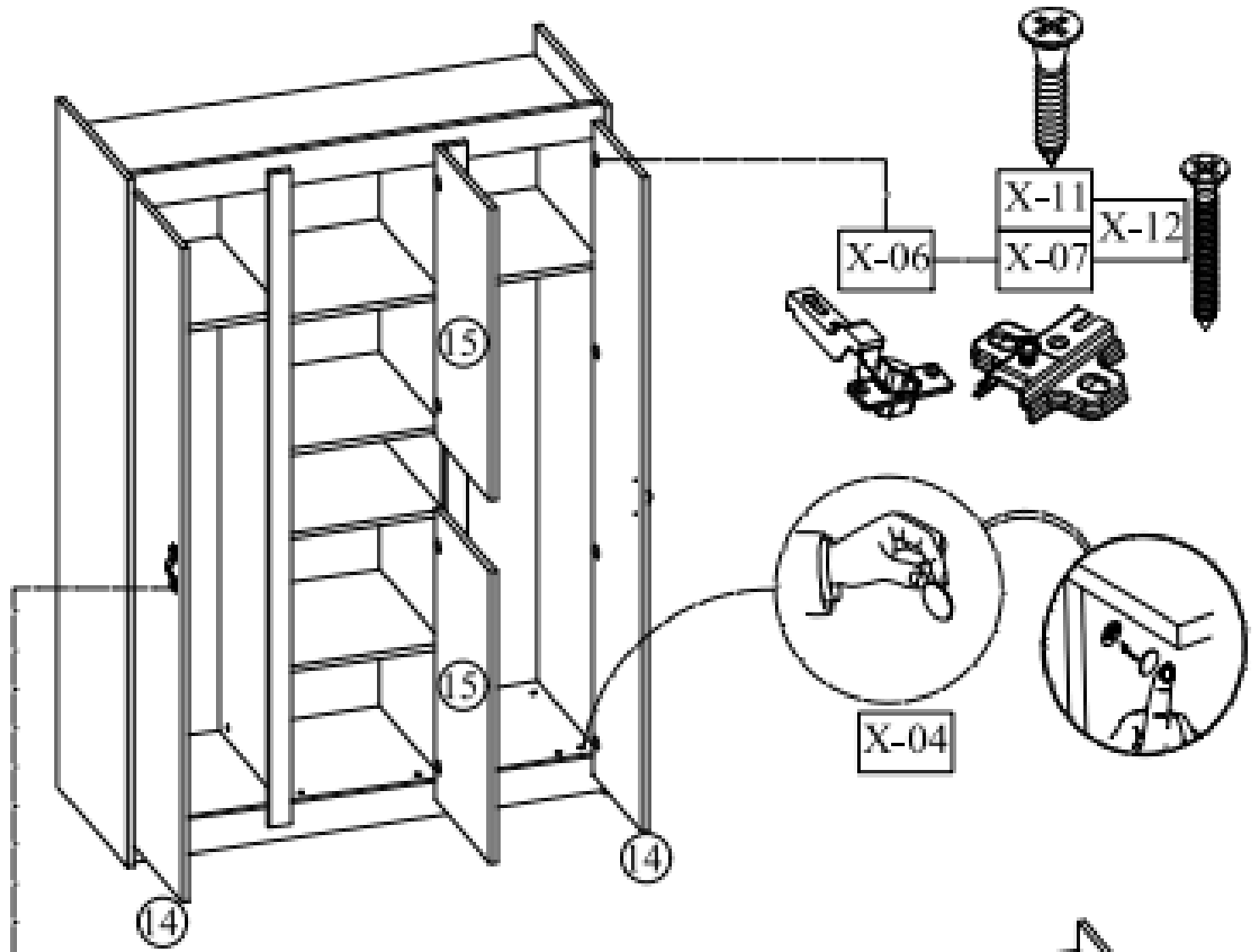
4 x

(ATTENTION !)

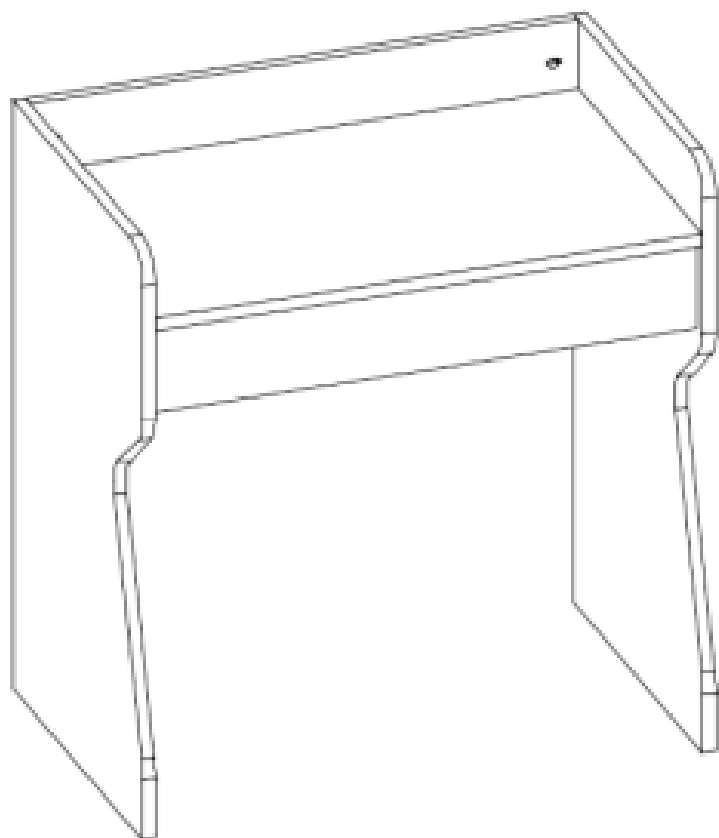


DİKKAT !  
(ATTENTION !)

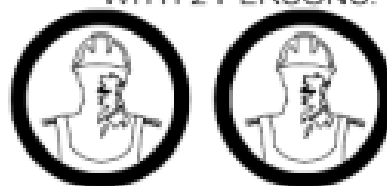




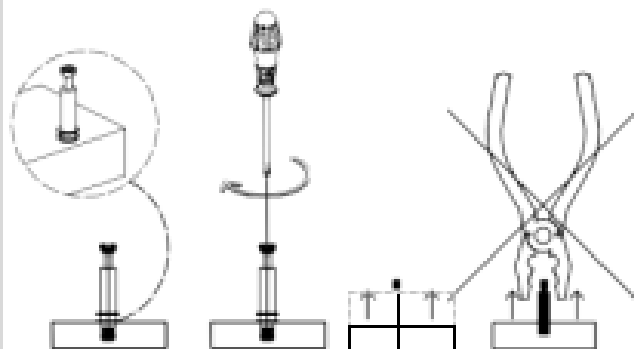
# Σετ Έπιπλο Παιδικού Δωματίου ACTIVE Δρυς – Ανθρακί SACTIVE.05- ΓΡΑΦΕΙΟ



INSTALLATION MUST BE DONE WITH 2 PERSONS.



TOOLS REQUIRED



X-01



16 x

X-02



16 x

X-03



8 x

X-04



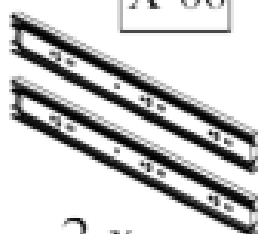
16 x

X-05



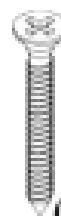
8 x  
(3,5x18)

X-06



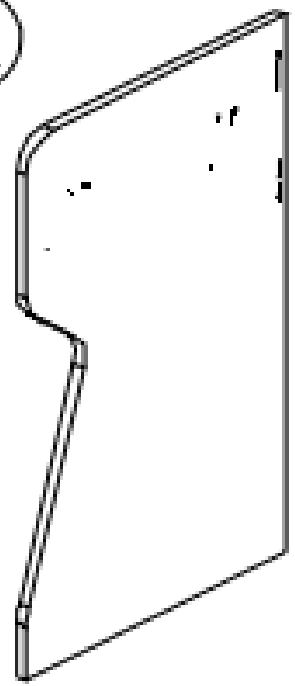
2 x

X-07



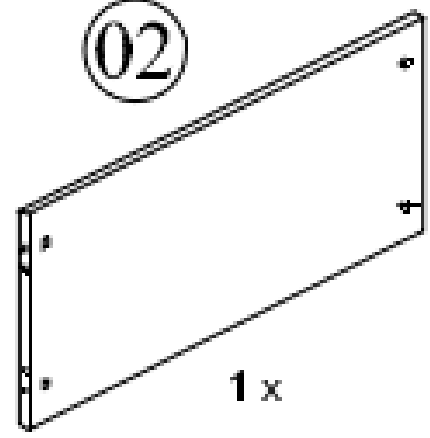
3 x  
(3,5\*25)

01



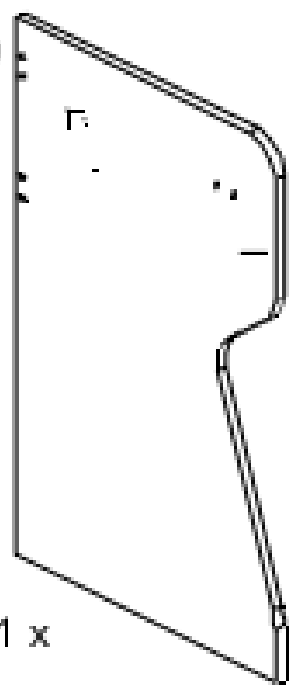
1 x

02



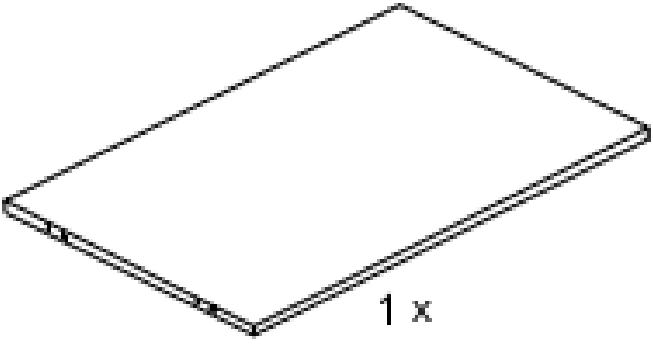
1 x

04



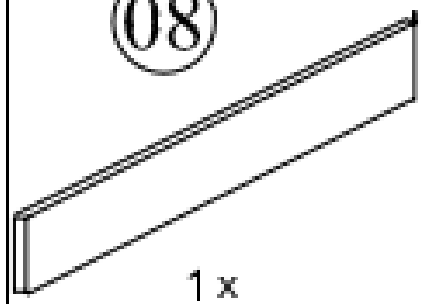
1 x

03



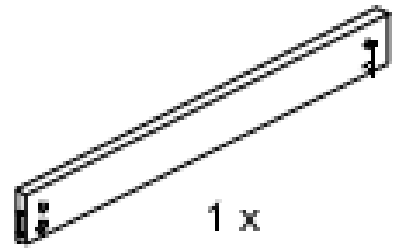
1 x

08



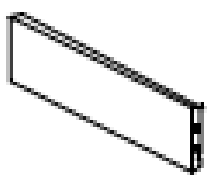
1 x

07



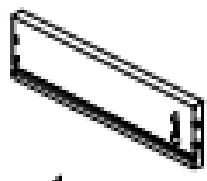
1 x

06



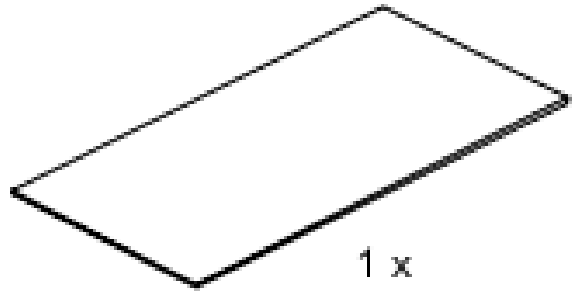
1 x

05



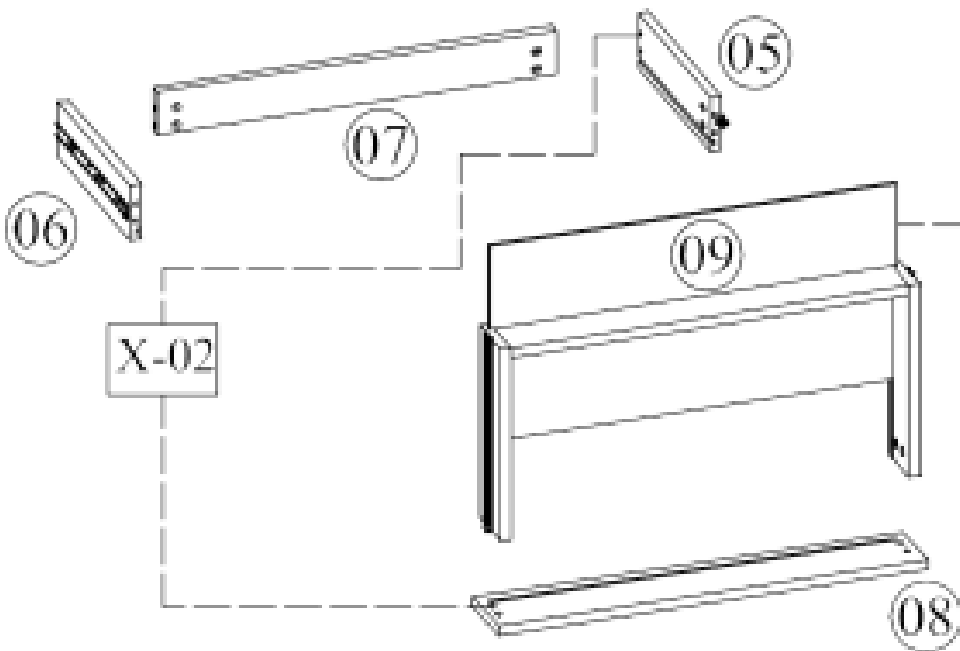
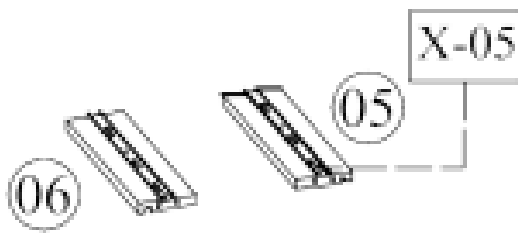
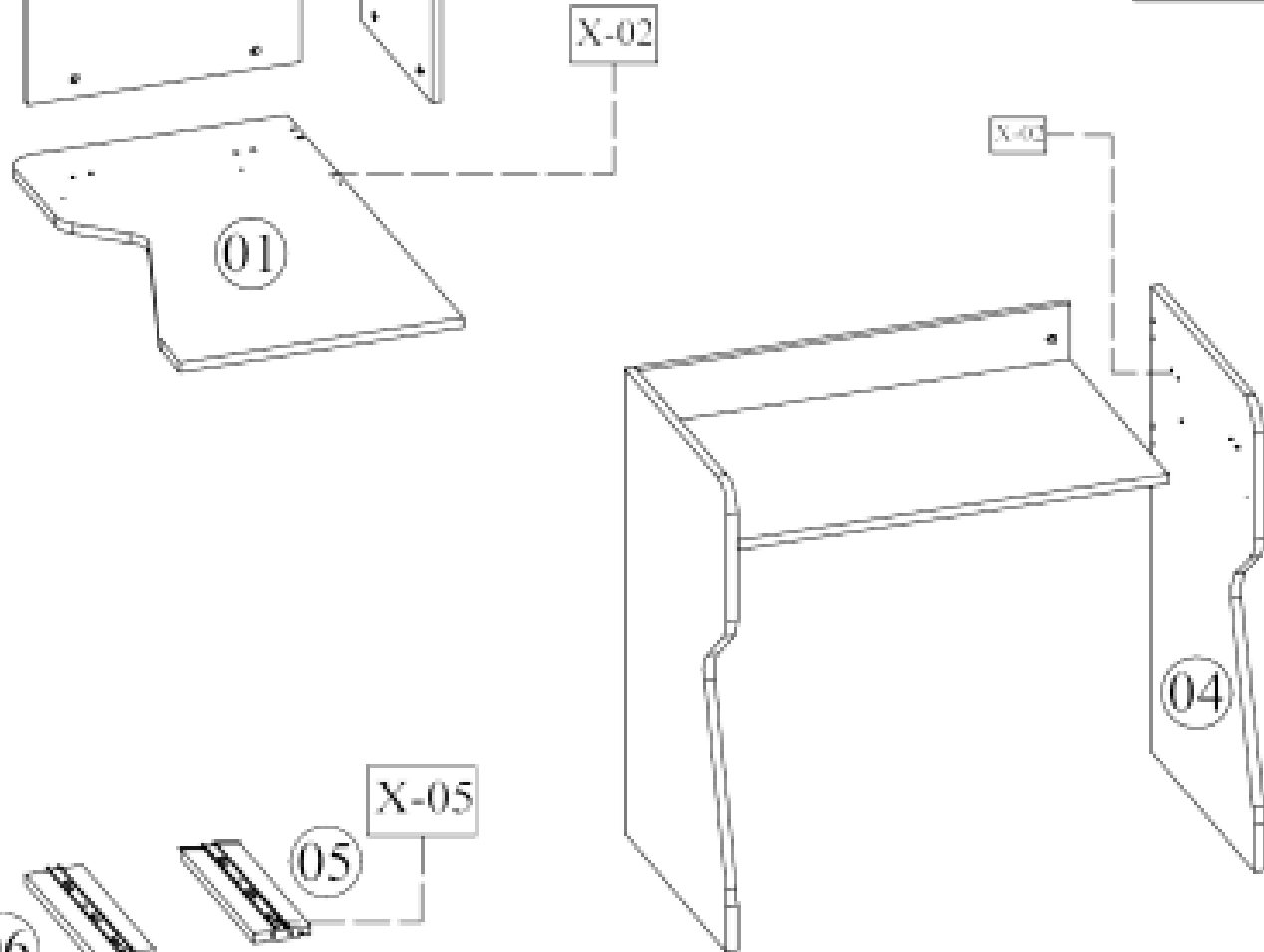
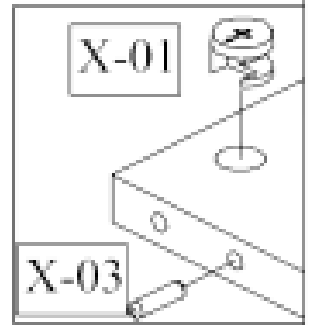
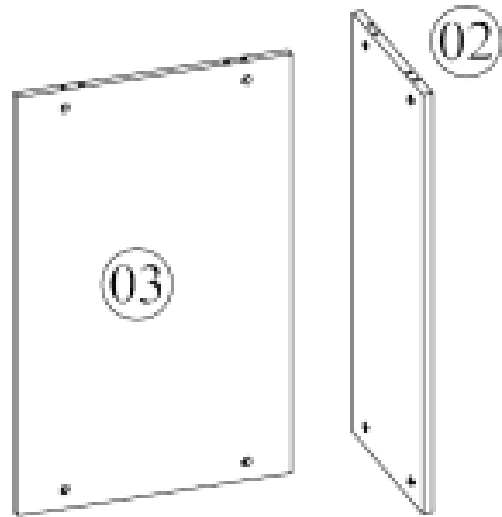
1 x

09

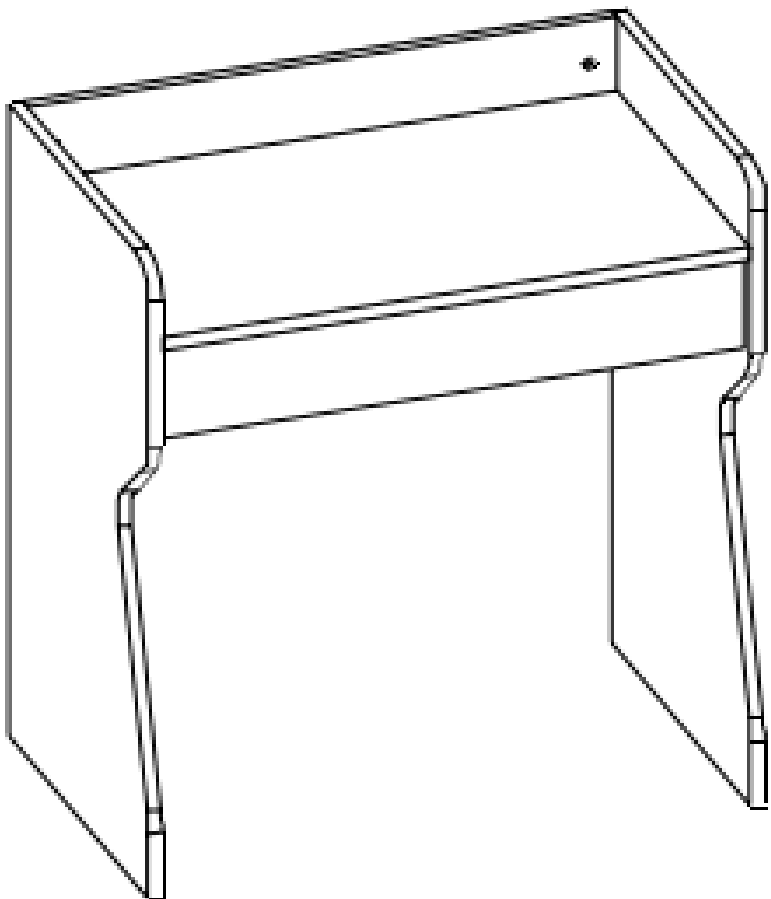
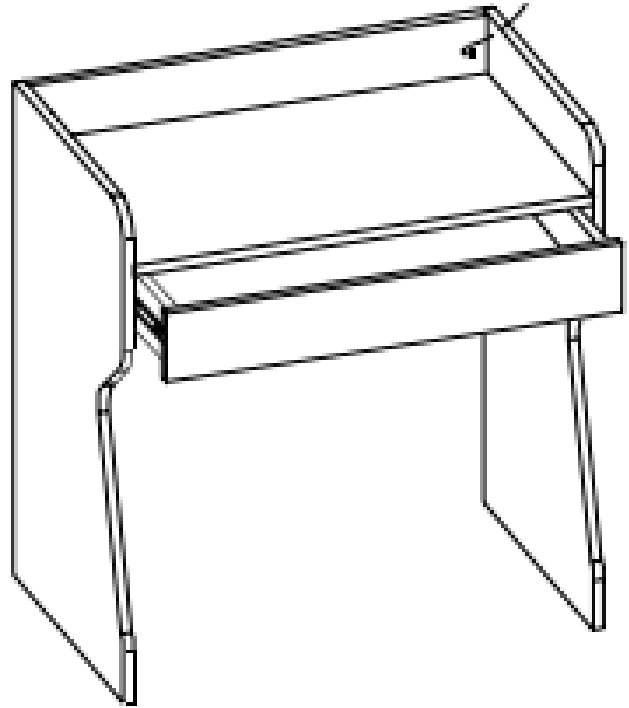
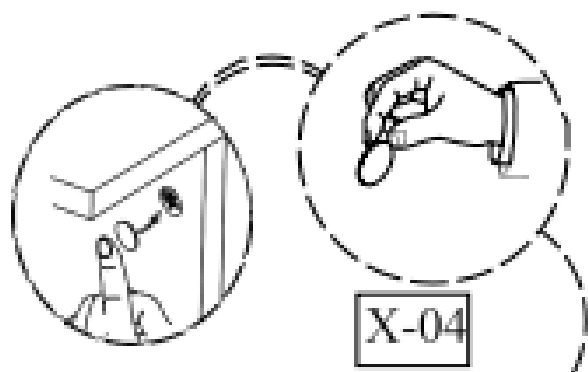
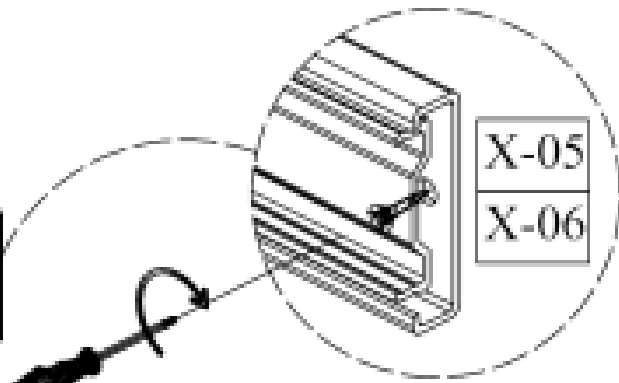
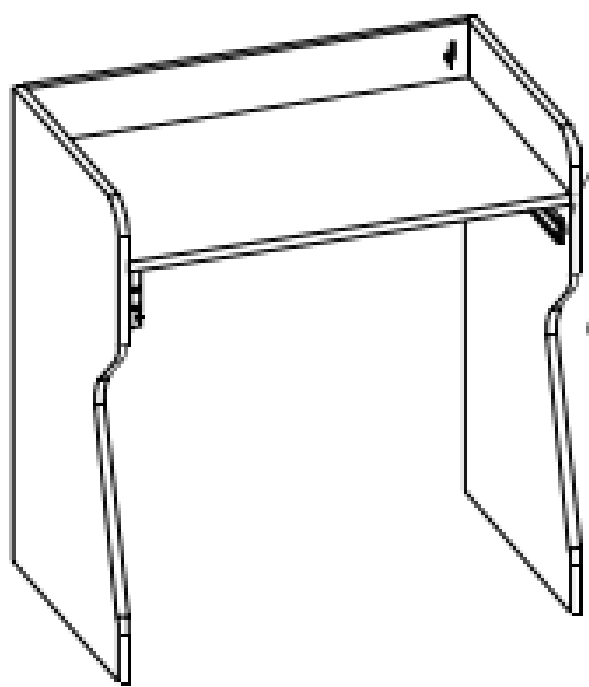


1 x

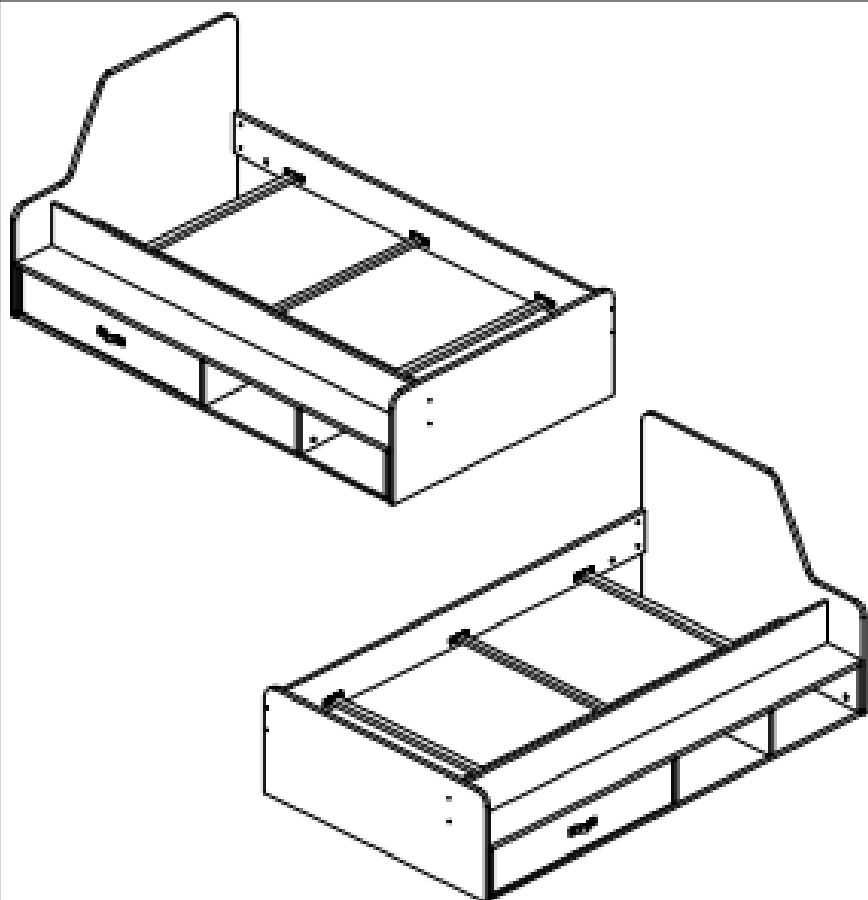
(ATTENTION !)



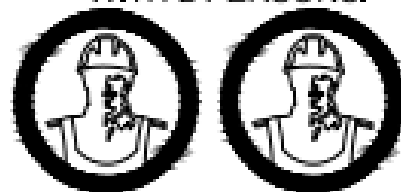




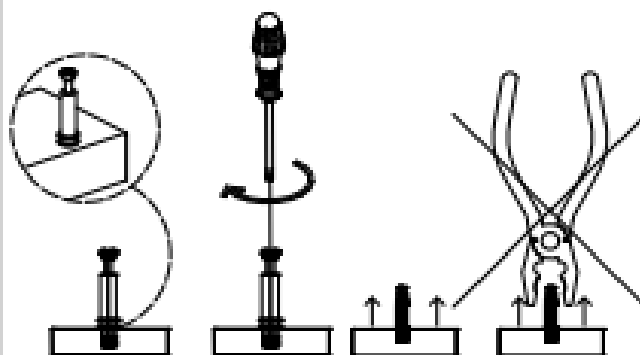
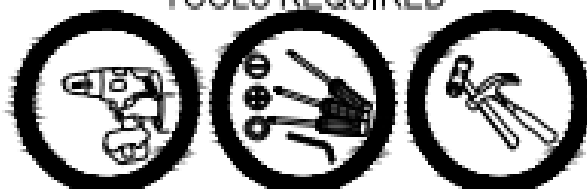
# Σετ Έπιπλο Παιδικού Δωματίου ACTIVE Δρυς – Ανθρακί SACTIVE.05 - ΜΟΝΟ ΚΡΕΒΑΤΙ



INSTALLATION MUST BE DONE WITH 2 PERSONS.



TOOLS REQUIRED



X-01



26 x

X-02



26 x

X-03



18 x

X-04



26 x

X-05



12 x

X-06



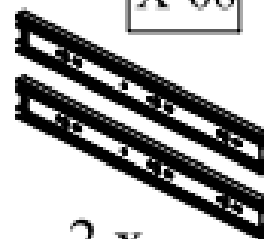
8 x

X-07



8 x

X-08



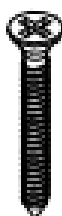
2 x

X-09



8 x  
(3,5x18)

X-10



3 x  
(3,5\*25)

X-11

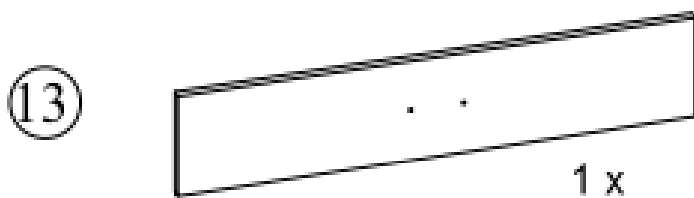
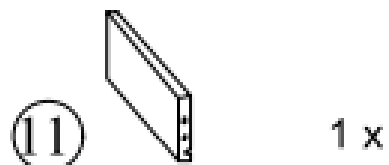
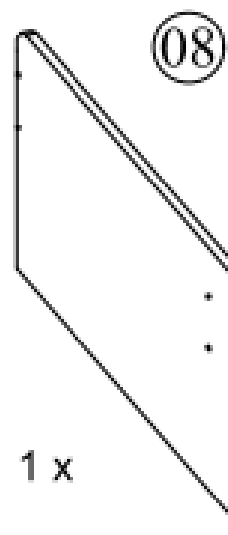
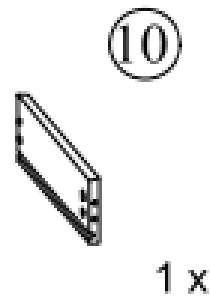
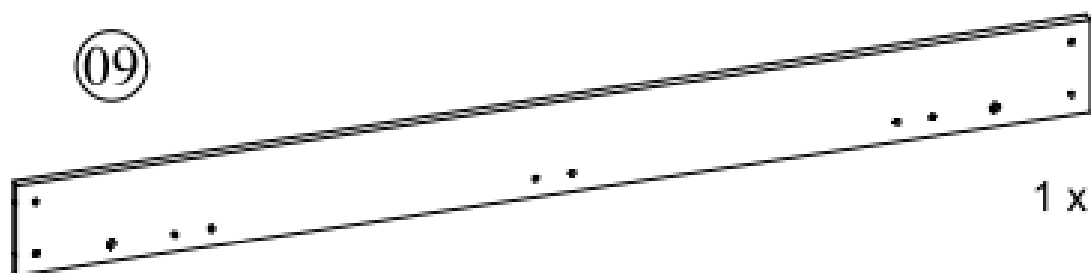
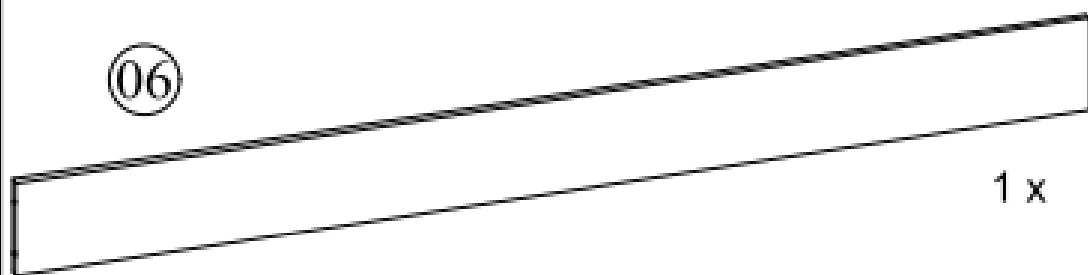
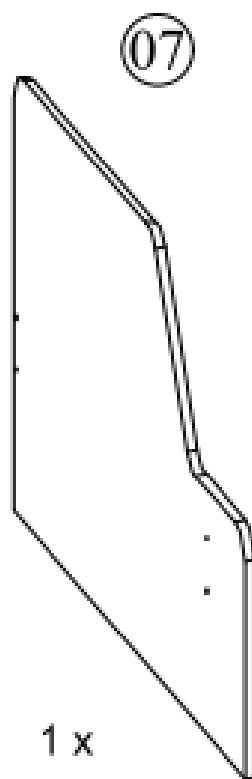
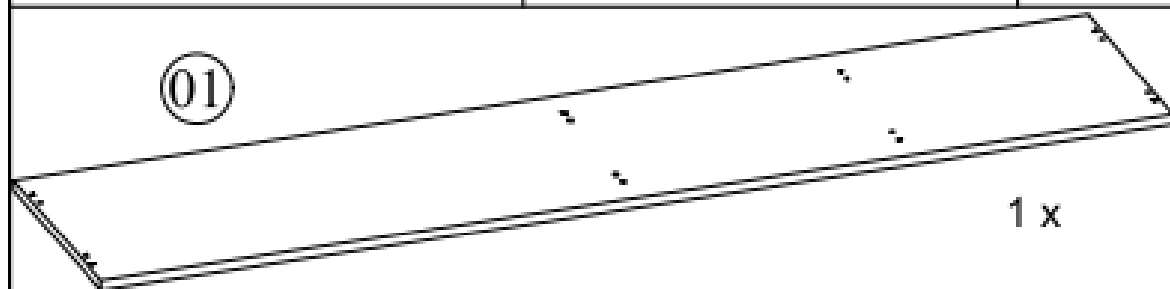
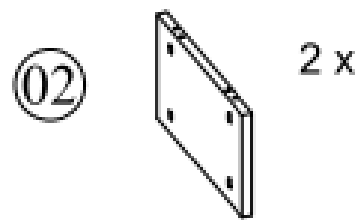
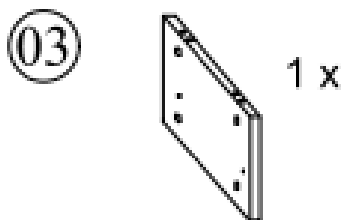
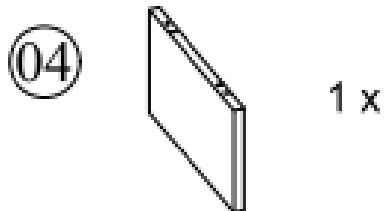
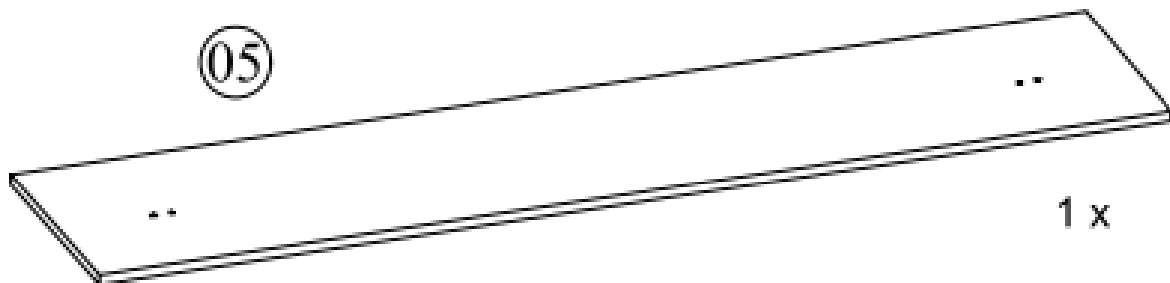


1 x

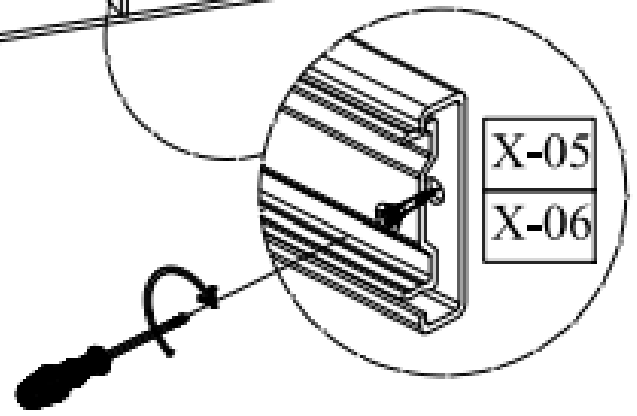
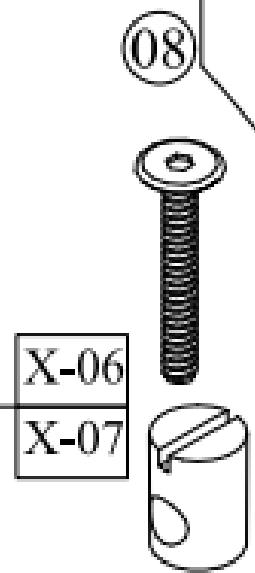
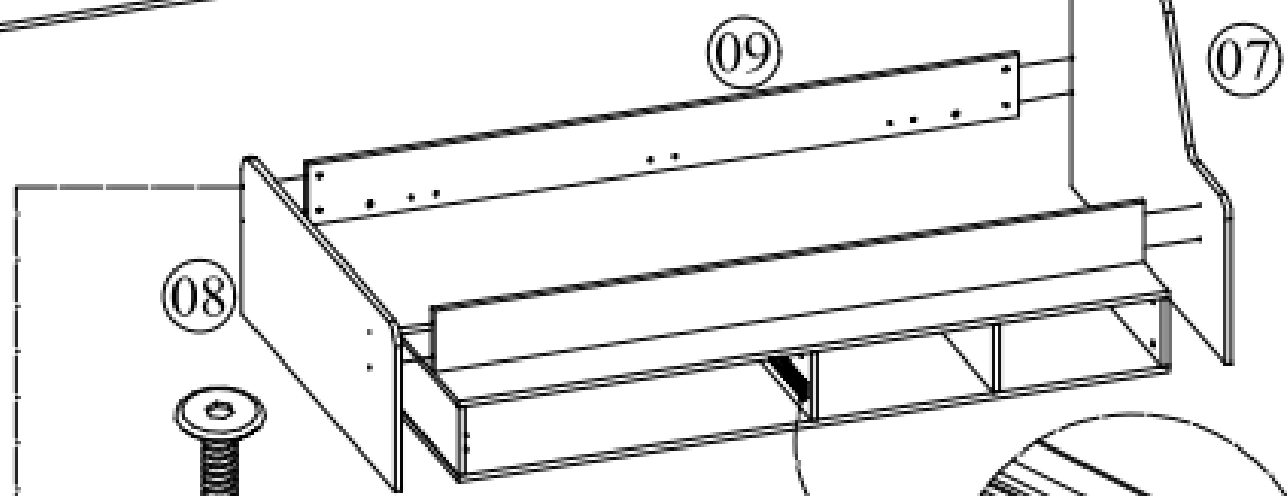
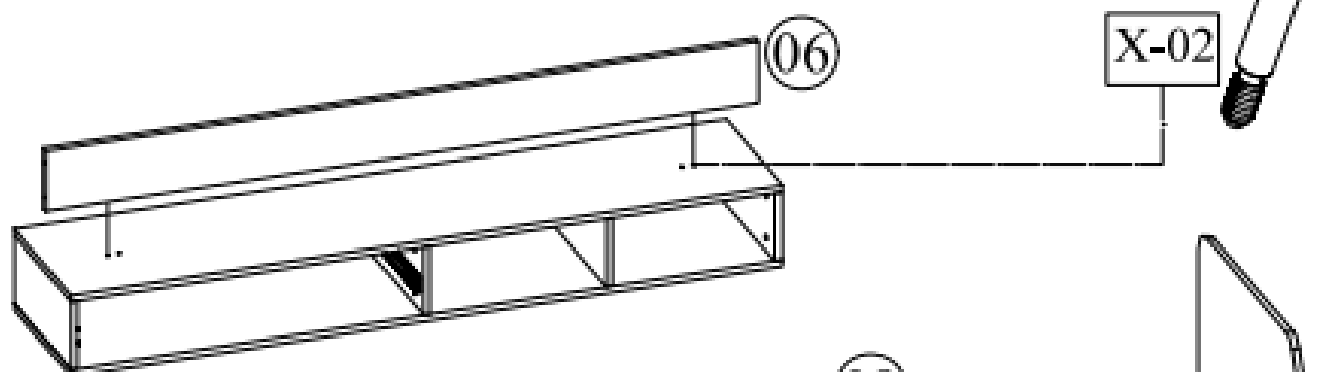
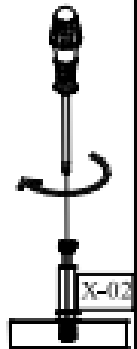
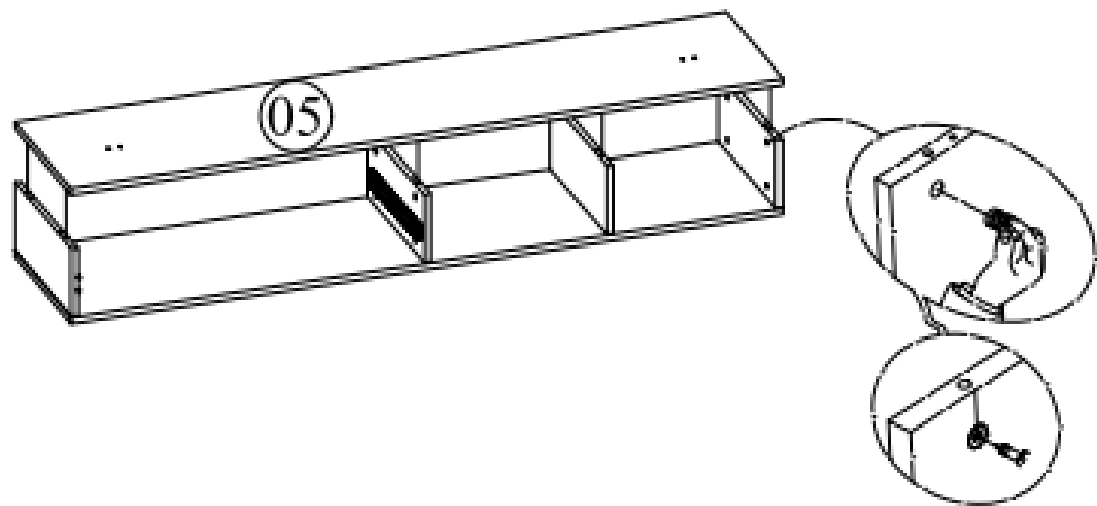
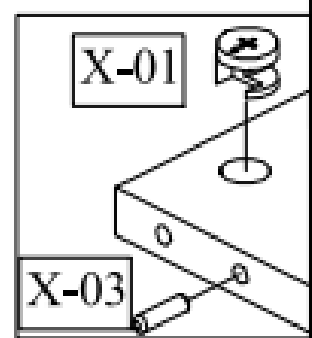
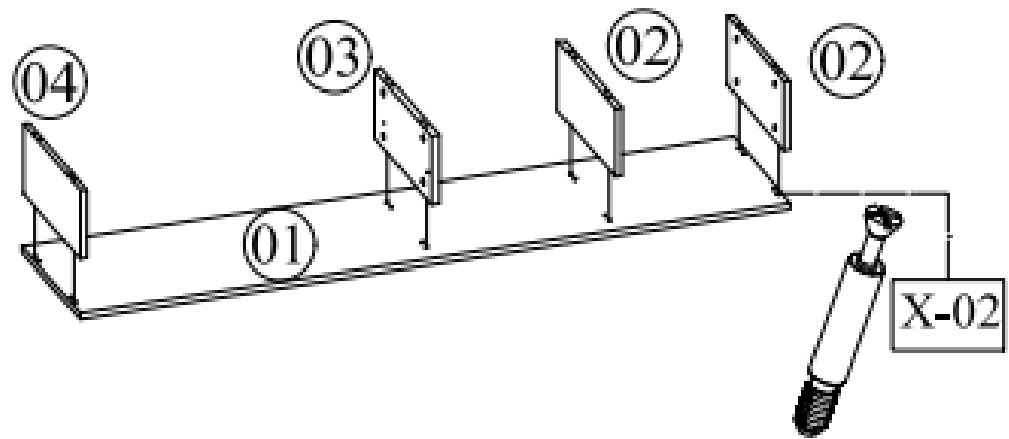
X-12

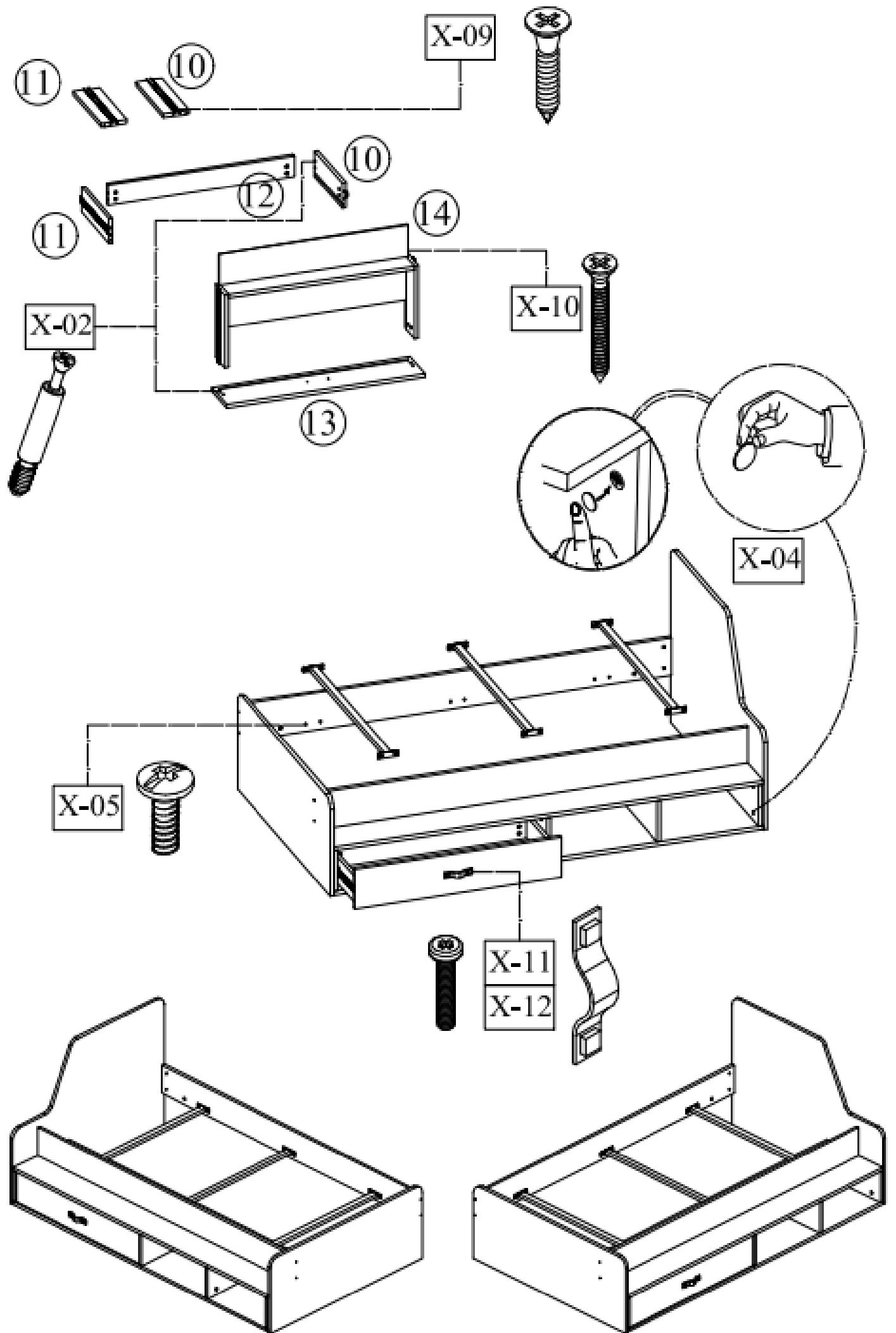


2 x  
(M4\*22)

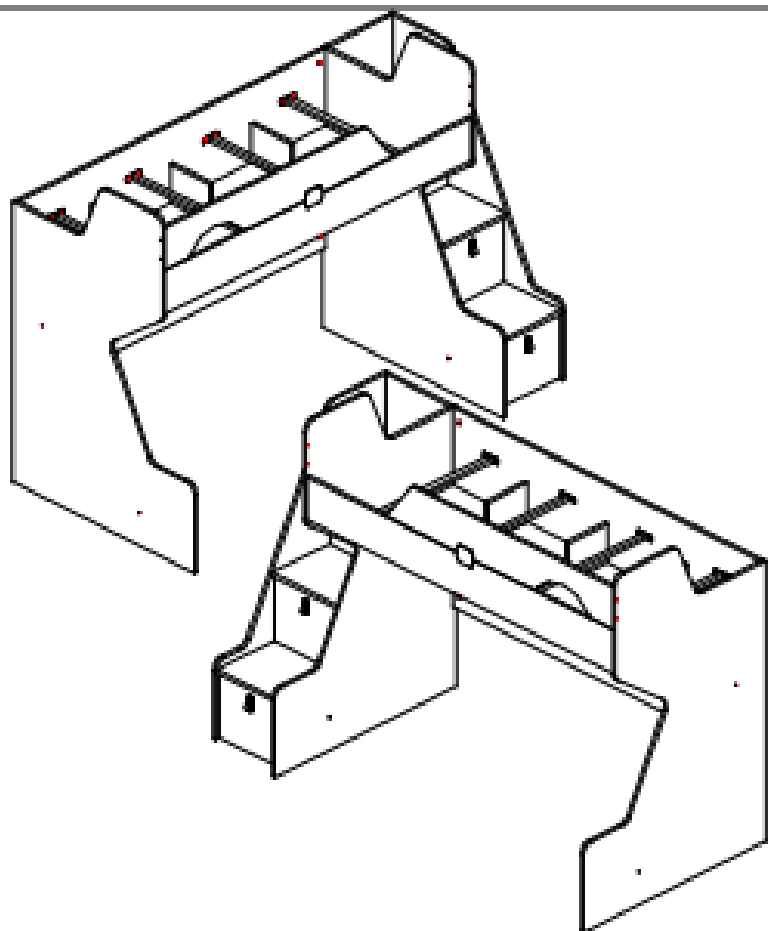


(ATTENTION !)

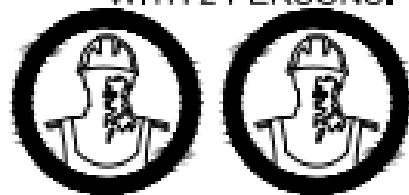




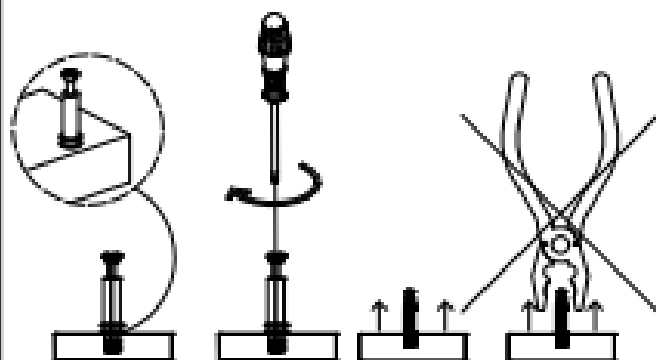
# Σετ Έπιπλο Παιδικού Δωματίου ACTIVE Δρυς – Ανθρακί SACTIVE.05 - ΚΡΕΒΑΤΙ



INSTALLATION MUST BE DONE WITH 2 PERSONS.



TOOLS REQUIRED



X-01



48 x

X-02



48 x

X-03



44 x

X-04



48 x

X-05



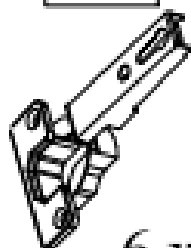
16 x

X-06



2 x

X-07



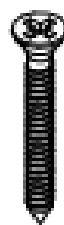
6 x

X-08



6 x

X-09



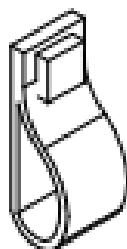
18 x  
(4\*50)

X-10



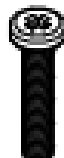
24 x  
(3,5x18)

X-11



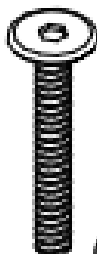
3 x

X-12



3 x  
(M4\*25)

X-13

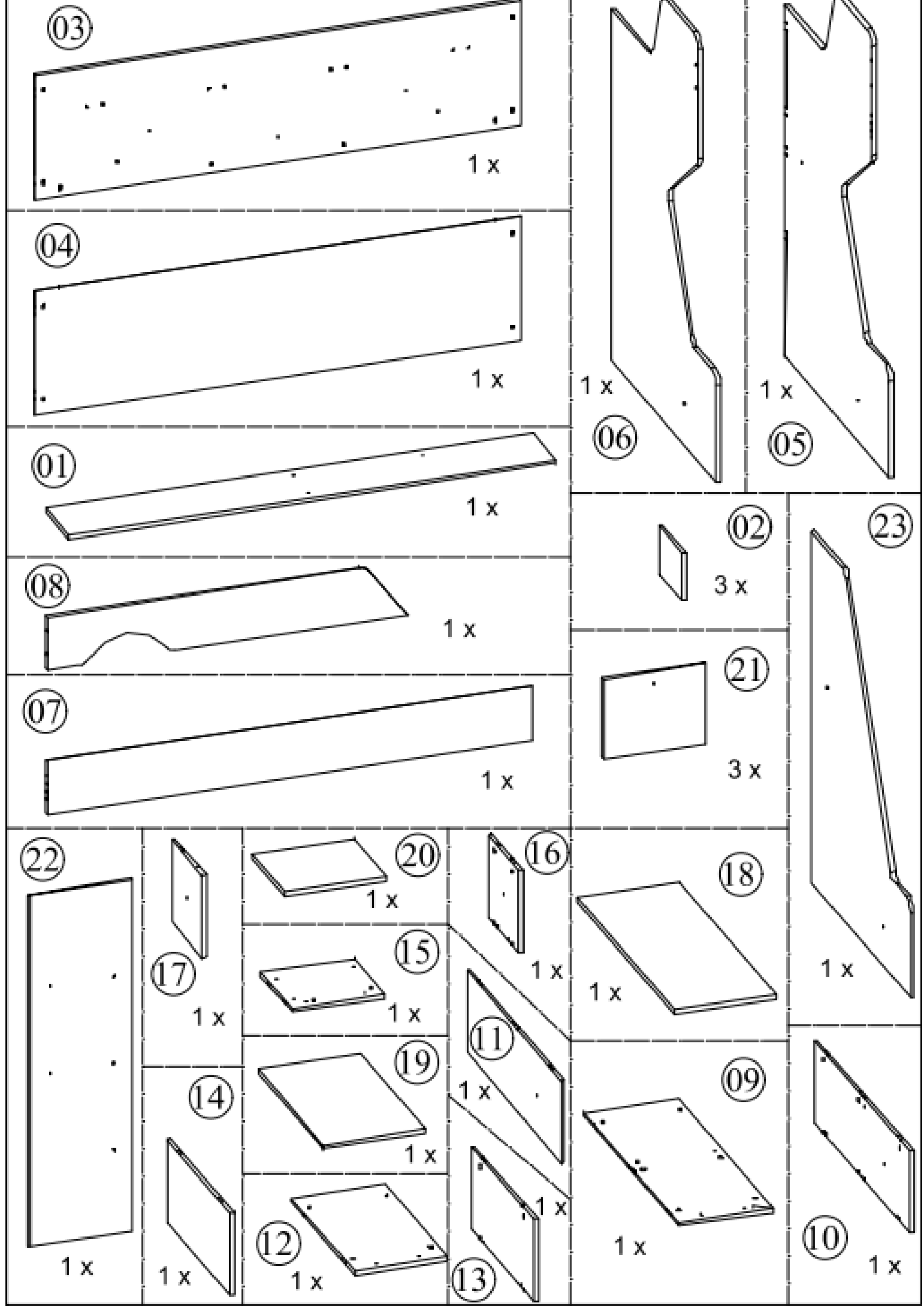


4 x  
(M6\*50)

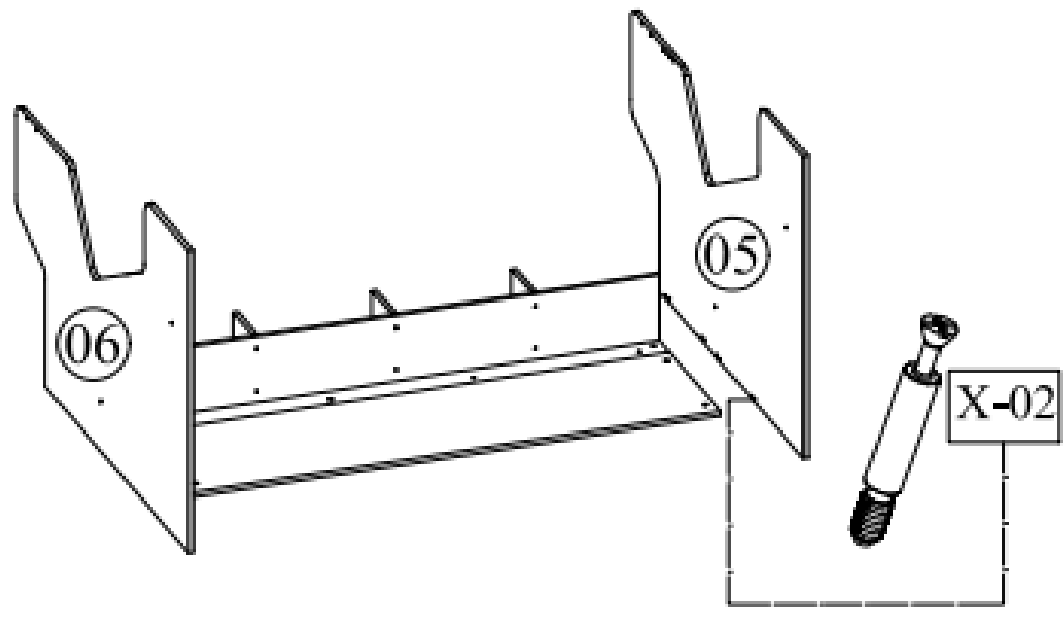
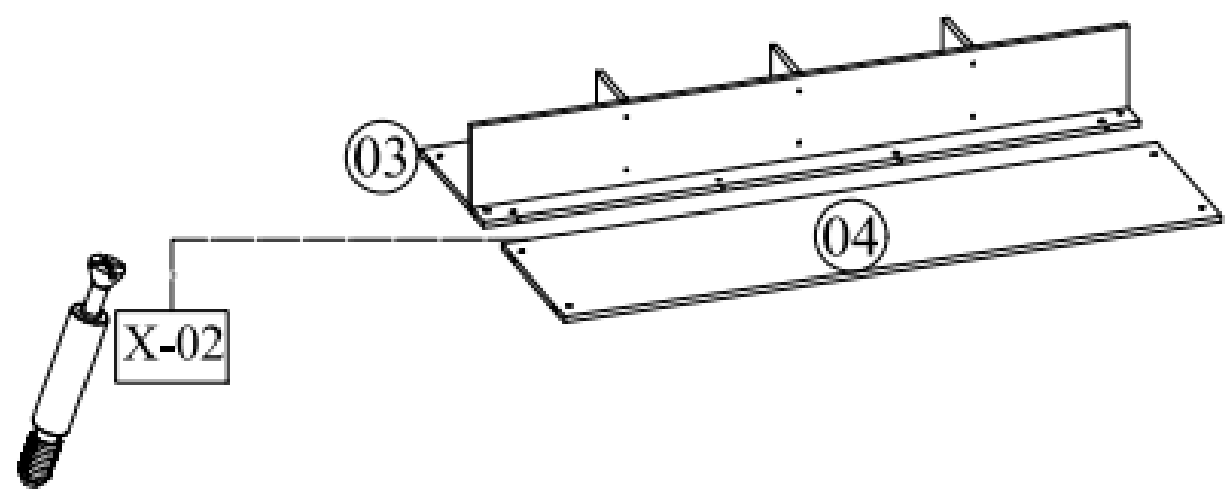
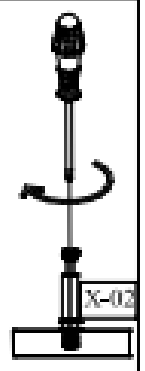
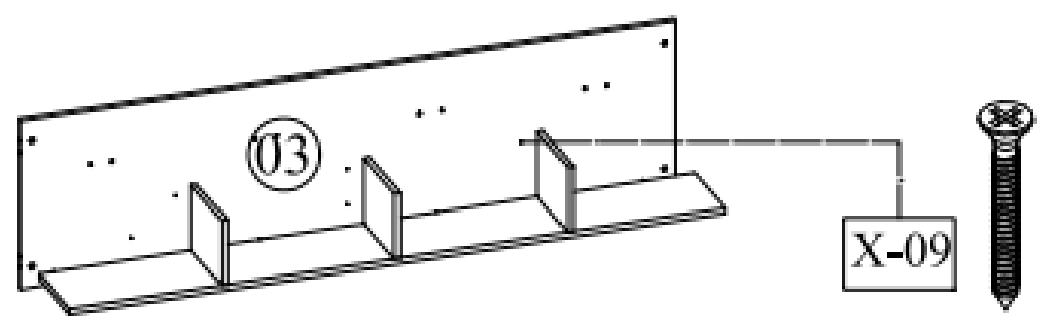
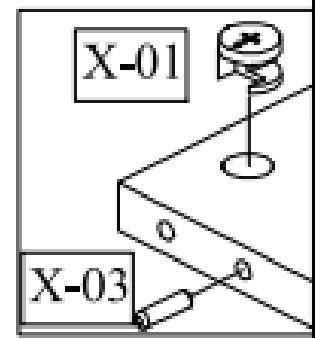
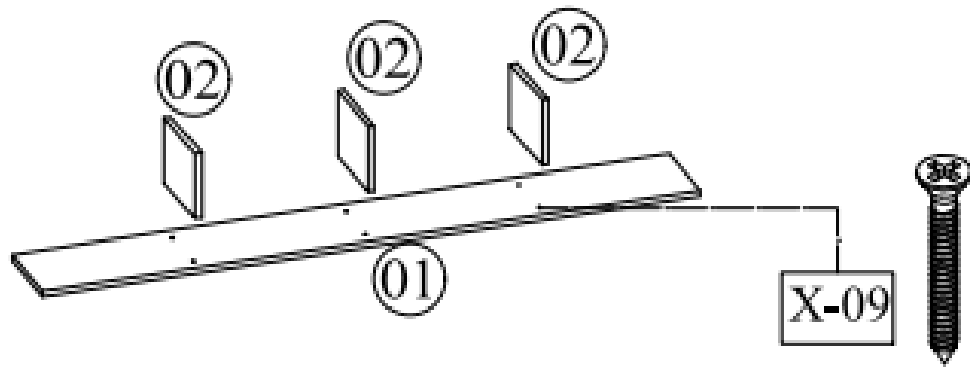
X-14



4 x

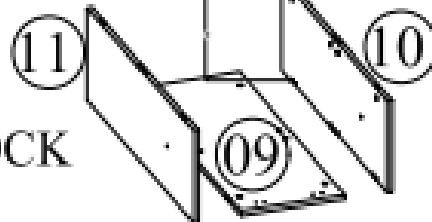
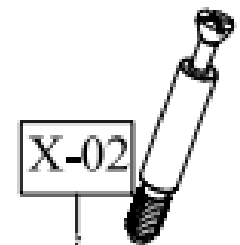
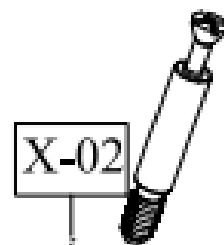
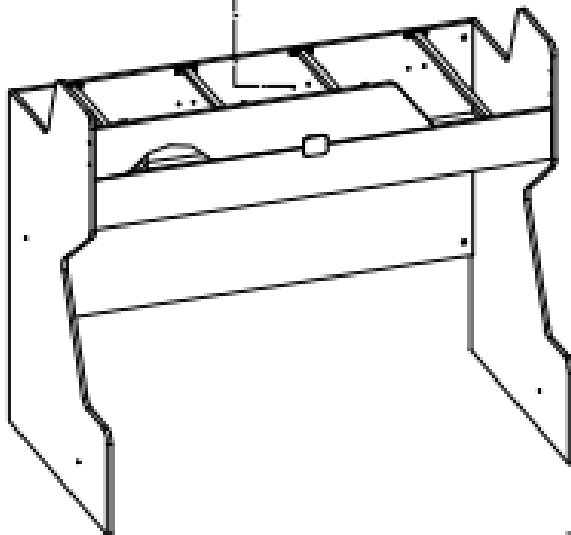
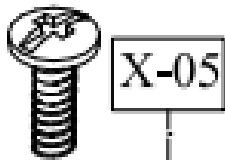
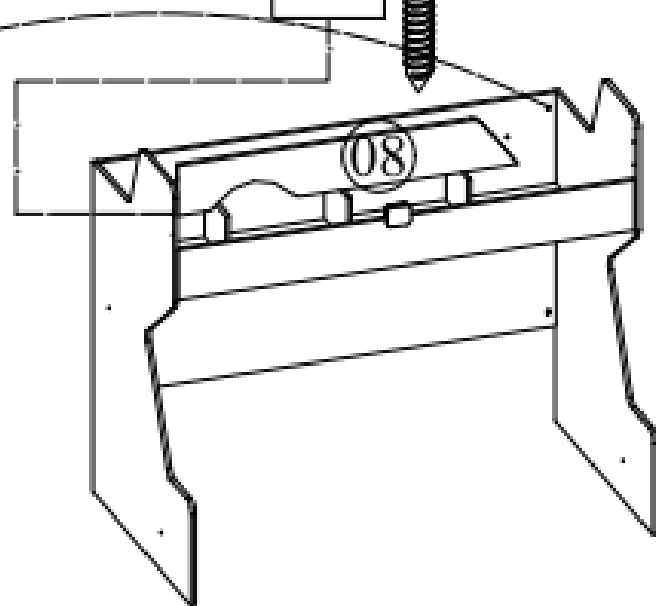
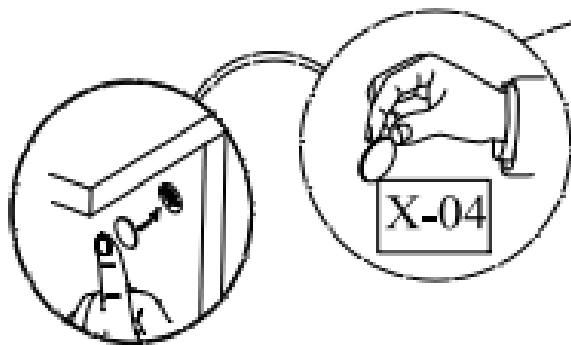
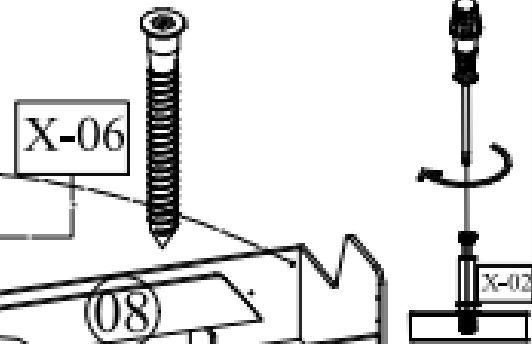
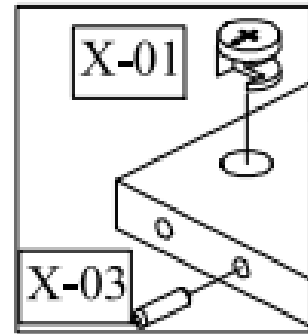
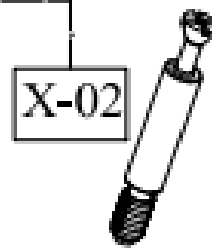
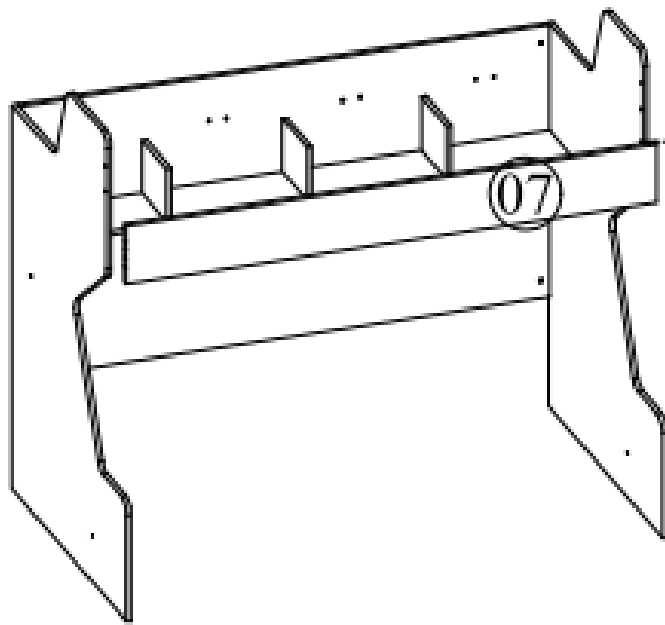


(ATTENTION !)

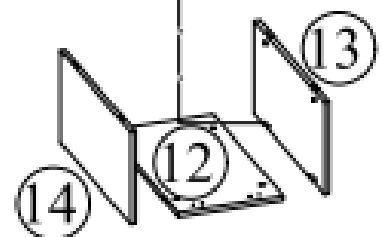




(ATTENTION !)



1.BLOCK



2.BLOCK

